

2.0 Installation Parameters

2.1 Physical Dimensions

The Model 370SC Projector is housed in an enclosure 20.6 inches (53cm) high, 33.0 inches (84cm) wide, and 53.37 inches (136cm) deep (see Figure 2-1).

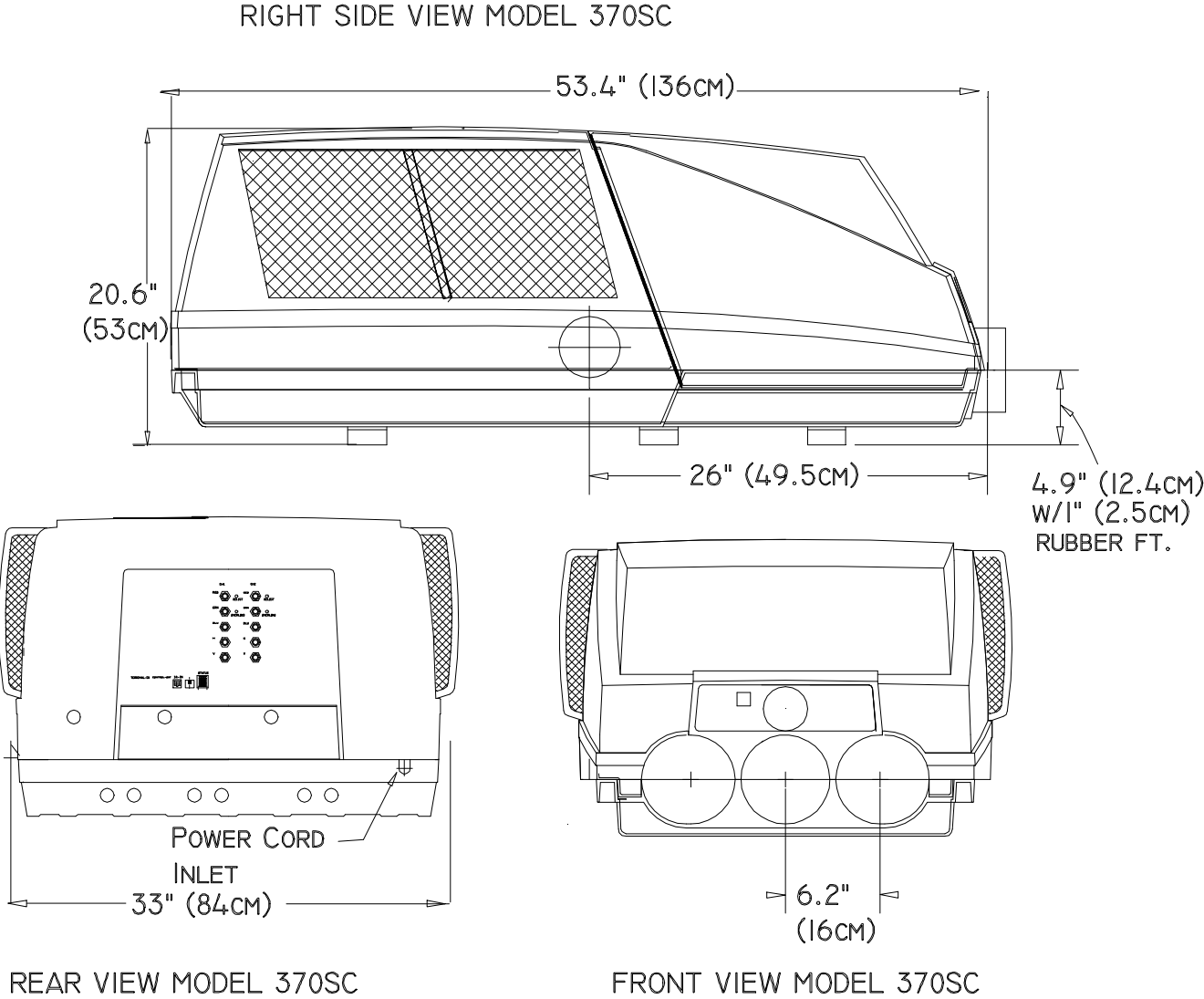


Figure 2-1. Projector enclosure dimensions.

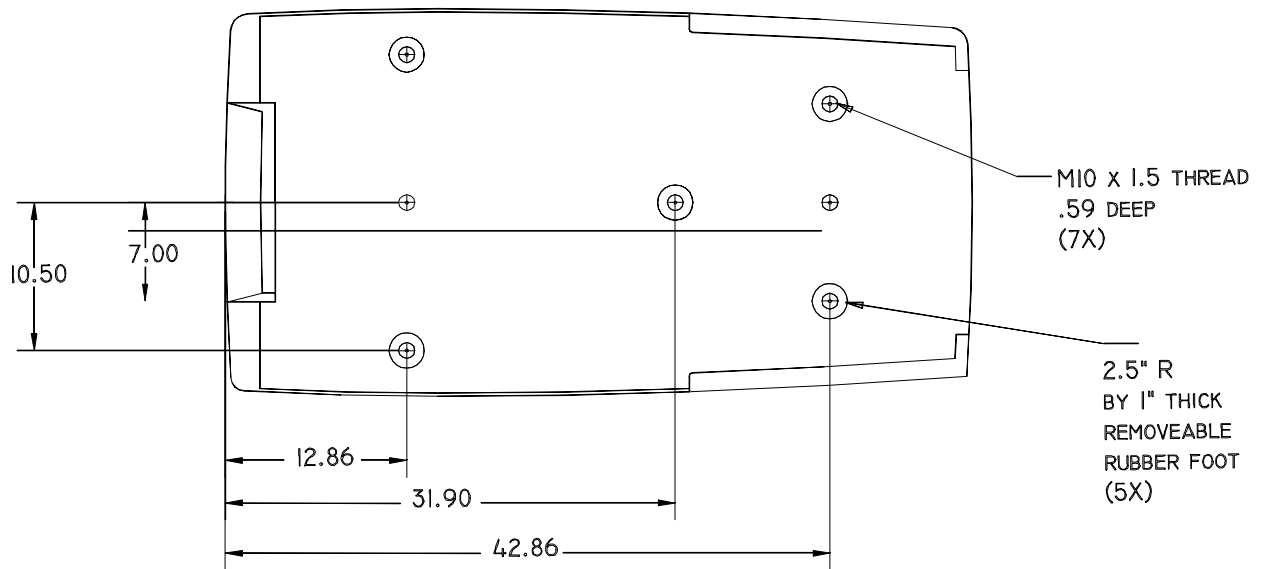


Figure 2-1A. Model 370SC Projector Footprint. Dimensions in inches.

2.2 Physical Access and Thermal Clearance

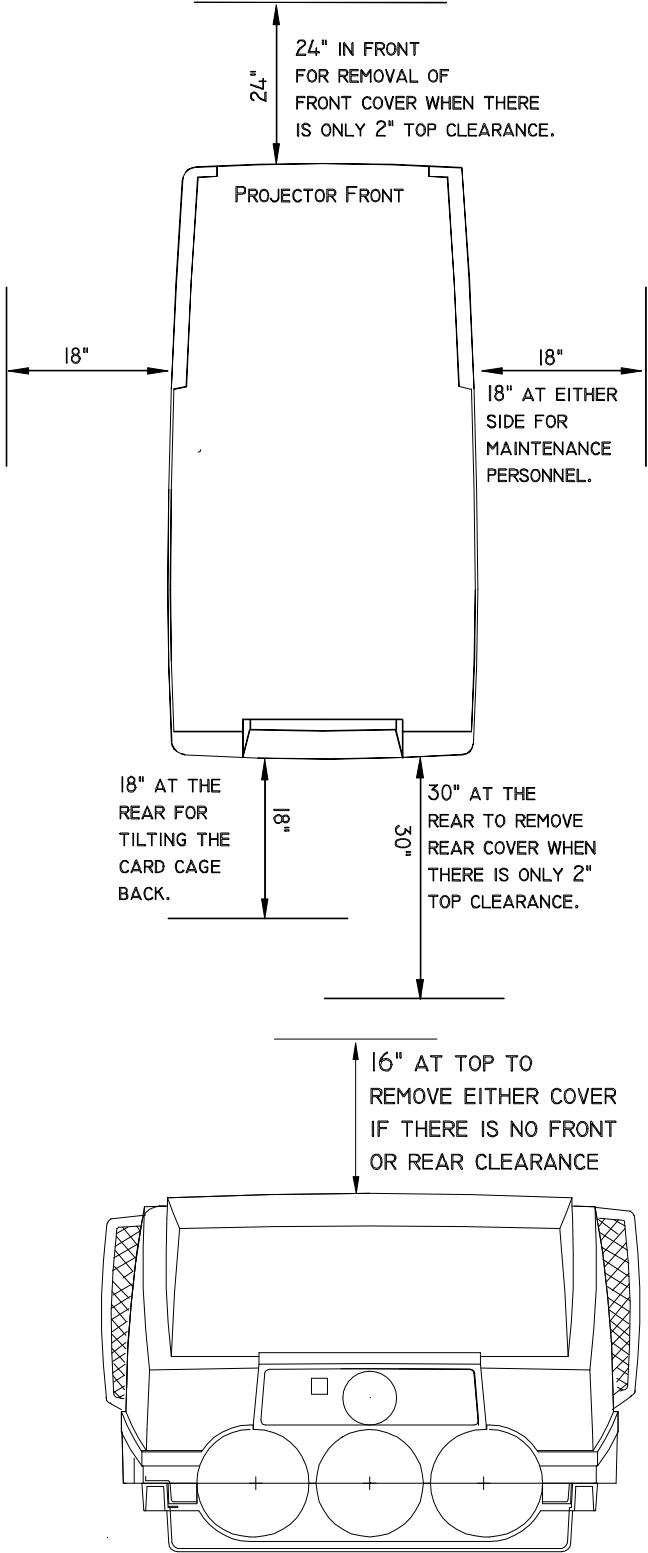


Figure 2-2. Clearances for cover removal and physical access.

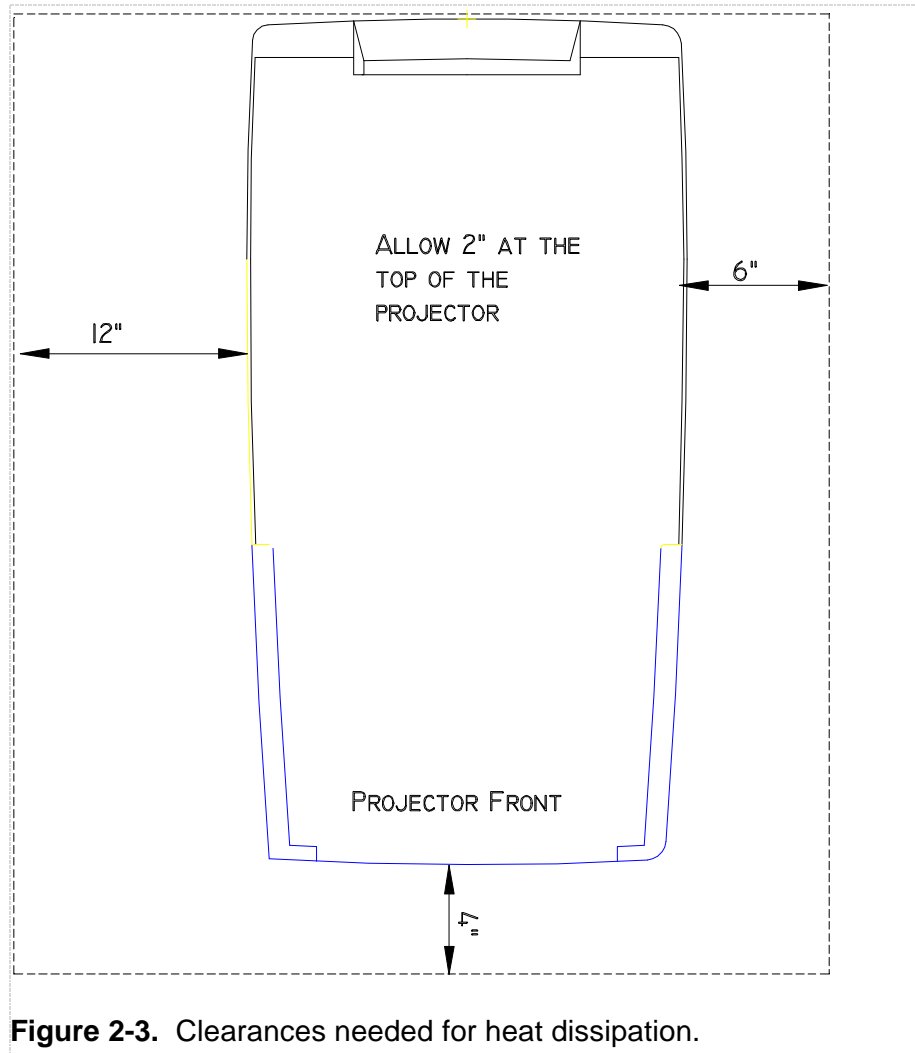


Figure 2-3. Clearances needed for heat dissipation.

The projector's location requires that 18" is made available on both sides to allow an average sized person to service the projector after removing the cover. The front or rear cover access is variable depending on how much top clearance is available. With the 2" minimum at the top of the projector, a 30" rear clearance is required. With more top clearance, less rear clearance is needed. With more top clearance, less rear clearance is required and some trial and error is needed if the projector is installed in close quarters.

Clearances for heat dissipation, shown in Figure 2-3, are a minimum for rooms of normal ambient air temperature. Rooms with very hot ambient air temperature (see Operating Parameters in Section 7) may require greater clearance distances to dissipate heat properly.

NOTE: The projector dissipates 15,525 btus/hr and requires adequate ventilation for proper air flow to prevent overheating. **Do not** place the projector in an enclosure that would limit air flow.