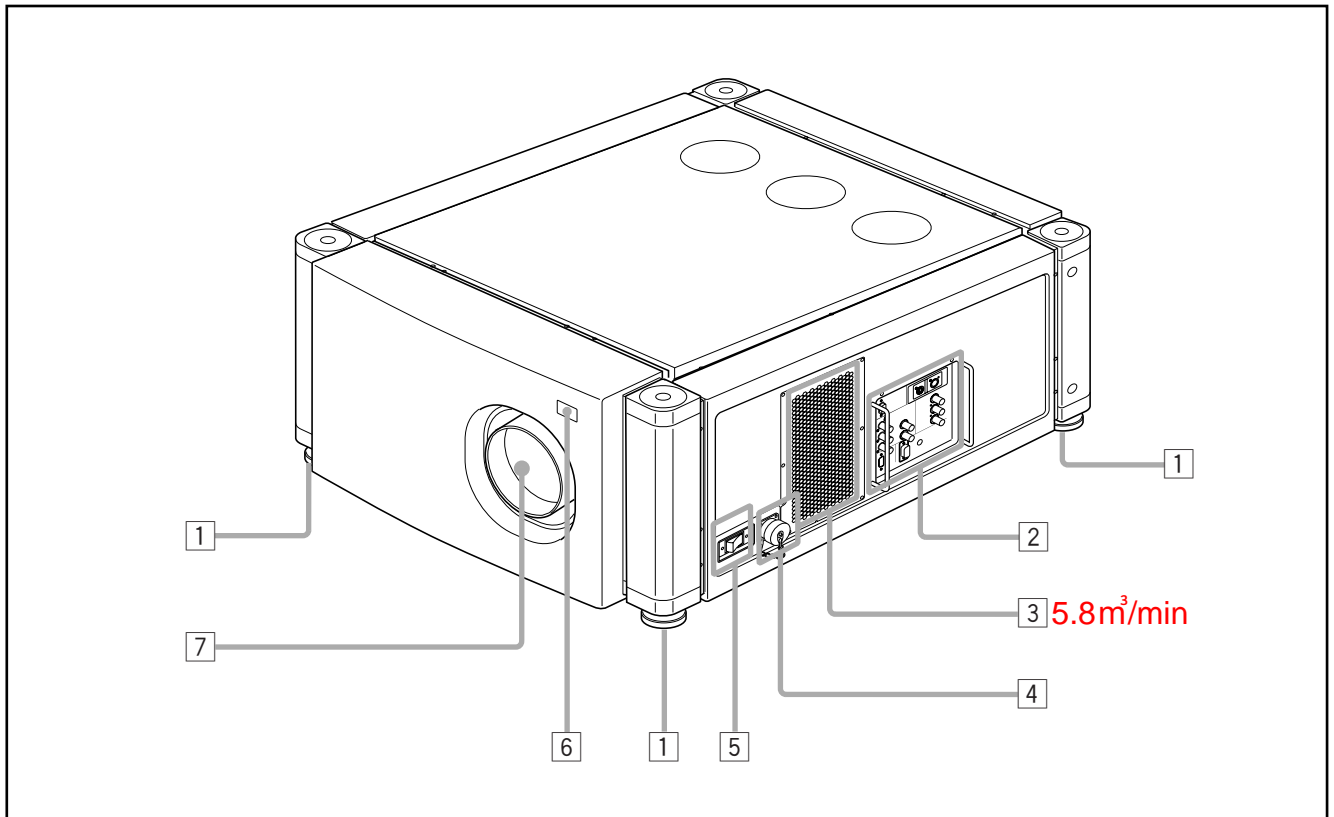


Controls and Features

Front Side / Top Surface / Right Side



1 Adjustable foot

It is set at the shortest position when shipped from the factory. Turn the foot to make the projector level. Adjustment can be made in the range of $\pm 4^\circ$ from the vertical and $\pm 5^\circ$ from the horizontal.

2 Connector panel

For details, refer to "Connector Panel" on page 10.

3 Air intake area (filter)

Air is taken in through this area to cool the light-source lamp. If this area is blocked or if something that obstructs taking in or exhausting air is placed around the projector, heat may build up inside and could cause a fire. For details, refer to "Precautions for Installation" on page 14.

CAUTIONS

- Be careful as paper, cloth or soft cushion could be drawn in if placed nearby. Do not block the intake area, or heat may build up and could cause a fire.
- Clean the filter periodically. For details, refer to "Cleaning and Replacing the Filter" on page 59. Deposition of dirt on the filter works to reduce the cooling effect, causing heat to build up inside, which could cause a fire or malfunction.

4 AC IN (power input) terminal

This is the power input terminal where the supplied power cord is connected. For details, refer to page 23.

5 MAIN POWER switch

This is the main power switch. When it is turned on, the projector goes into stand-by state, and the STAND BY indicator on the control panel comes on.

ON [I]: The main power turns on.

OFF [O]: The main power turns off.

6 Remote sensor

When operating with the remote control, aim it toward this sensor. An additional remote sensor is provided on the back of the projector. The effective operating distance of the remote control is 10 m from each of the sensors. The effective operating range of angles is 50° left and right, and 15° up and down.

7 Lens mount

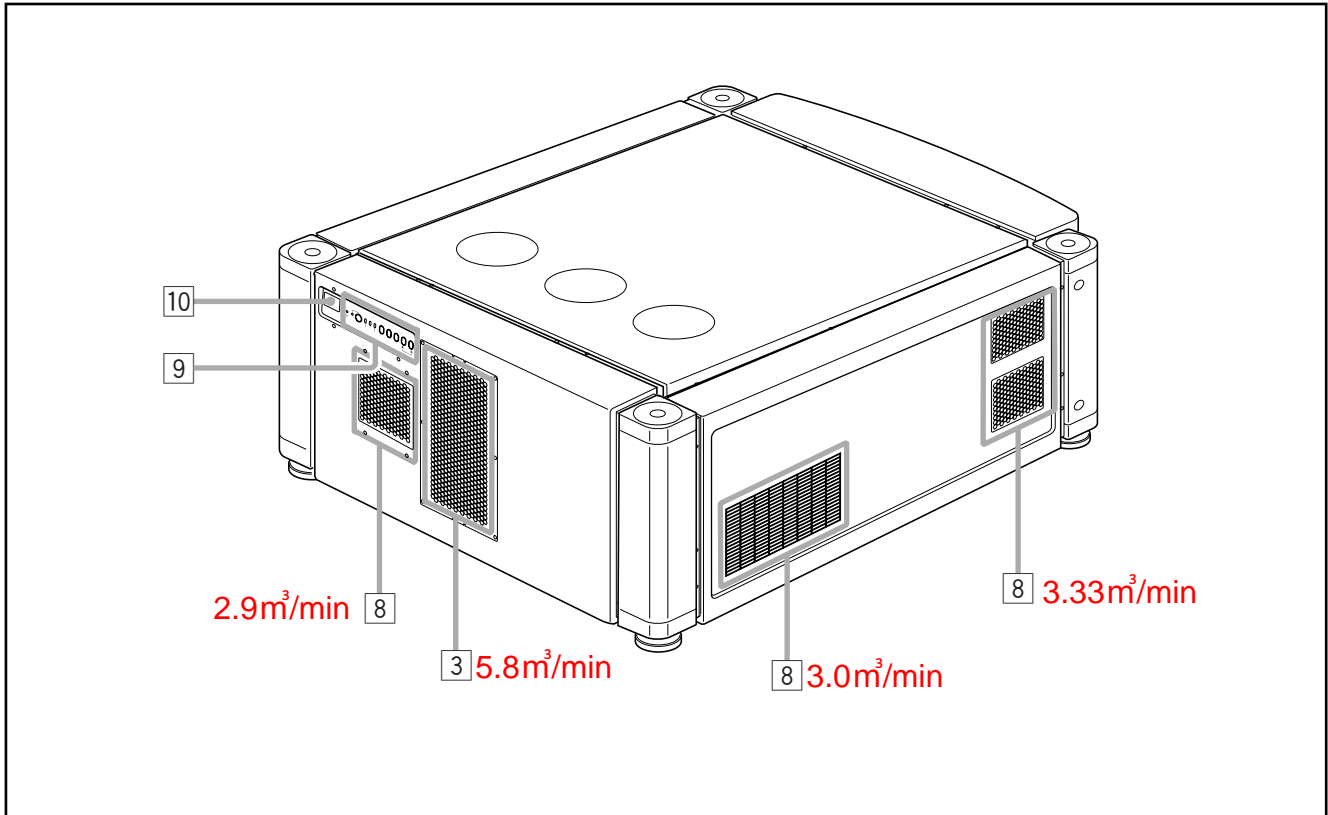
Attach a projection lens separately sold to this mount.

GL-M4023SZ 3 : 1~7 : 1 zoom lens

GL-M4015S 1.5 : 1 fixed-focus lens

For information on attaching the lens, consult the dealer or service center who performed the installation and adjustments of your projector.

Left-hand side / Back Side



8 Exhaust vents

Vents for cooling fans through which warm air comes out.

9 Control panel

For details, refer to “Control Panel” (page 8 and 9).

10 Remote sensor

When operating with the remote control, aim it toward this sensor. An additional remote sensor is provided on the front of the projector. The effective operating distance of the remote control is 10 m from each of the sensors. The effective operating range of angles is 50° left and right, and 15° up and down.